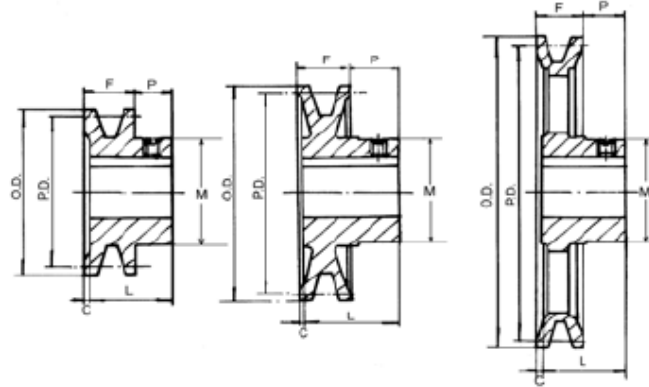


### Cast Iron Sheaves- Light Duty

#### Bored-To-Size - Single Groove

**BK24 to BK 72** (Other Sizes are Available)

Set screws are 5/16-18 UNC knurled cup.  
Recommended tightening torque is  
110-130 inch-lbs.



Standard Key Dimensions	
Shaft Dia. In Inches	Keyset W x D
1/2	None
5/8 - 7/8	3/16 x 3/32
15/16 - 1-1/4	1/4 x 1/8
1-5/16 - 1-3/8	5/16 x 5/32
1-7/16 - 1-3/4	3/8 x 3/16



Basic Part #	Diameters			Type	Dimensions				Stock Bores (IN.)	Approx. Weight
	O.D.	Pitch			F	L	P	C		
		4L or A	5L or B							
BK24	2.40	1.80	2.20	1S	13/16	1-1/16	13/32	5/32	1/2, 5/8, 3/4, 7/8	.73
BK25	2.50	1.90	2.30	1S	13/16	1-1/16	13/32	5/32	1/2, 5/8, 3/4, 7/8, 1	.74
BK26	2.60	2.00	2.40	1S	13/16	1-1/16	13/32	5/32	1/2, 5/8, 3/4, 7/8	.80
BK27	2.70	2.10	2.50	2S	13/16	1-1/16	13/32	5/32	1/2, 5/8, 3/4, 7/8, 1	.84
BK28	2.95	2.20	2.60	2S	13/16	1-1/16	13/32	5/32	1/2, 5/8, 3/4, 7/8, 1, 1-1/8	1.0
BK30	3.15	2.40	2.80	2S	13/16	1-1/16	13/32	5/32	1/2, 5/8, 3/4, 7/8, 1, 1-1/8	1.2
BK32	3.35	2.60	3.00	2S	13/16	1-1/16	13/32	5/32	1/2, 5/8, 3/4, 7/8, 1, 1-1/8	1.2
BK34	3.55	2.80	3.20	2S	7/8	1-5/32	13/32	1/8	1/2, 5/8, 3/4, 7/8, 1, 1-1/8	1.7
BK36	3.75	3.00	3.40	2S	7/8	1-5/32	13/32	1/8	1/2, 5/8, 3/4, 7/8, 1, 1-1/8	1.9
BK40	3.95	3.20	3.60	2S	7/8	1-5/32	13/32	1/8	1/2, 5/8, 3/4, 7/8, 1, 1-1/8	2.1
BK45	4.25	3.50	3.90	2S	7/8	1-5/32	13/32	1/8	1/2, 5/8, 3/4, 7/8, 1, 1-1/8	2.1
BK47	4.45	3.70	4.10	2S	7/8	1-5/32	13/32	1/8	1/2, 5/8, 3/4, 7/8, 1, 1-1/8	2.2
BK50	4.75	4.00	4.40	3S	7/8	1-5/32	13/32	1/8	1/2, 5/8, 3/4, 7/8, 1, 1-1/8	2.5
BK52	4.95	4.20	4.60	3S	7/8	1-5/32	13/32	1/8	1/2, 5/8, 3/4, 7/8, 1, 1-1/8	2.6
BK55	5.25	4.50	4.90	3S	7/8	1-5/32	13/32	1/8	1/2, 5/8, 3/4, 7/8, 1, 1-1/8, 1-3/16	3.0
BK57	5.45	4.70	5.10	3S	7/8	1-5/32	13/32	1/8	5/8, 3/4, 7/8, 15/16, 1, 1-1/8, 1-3/16	3.1
BK60	5.75	5.00	5.40	3S	7/8	1-5/32	13/32	1/8	1/2, 5/8, 3/4, 7/8, 1, 1-1/8, 1-3/16	3.4
BK62	5.95	5.20	5.60	3S	7/8	1-5/32	13/32	1/8	1/2, 5/8, 3/4, 7/8, 15/16, 1, 1-1/8, 1-3/16	3.6
BK65	6.25	5.50	5.90	3S	7/8	1-5/32	13/32	1/8	5/8, 3/4, 1, 1-1/8	3.9
BK67	6.45	5.70	6.10	3S	7/8	1-5/32	13/32	1/8	5/8, 3/4, 1, 1-1/8, 1-3/16	3.7
BK70	6.75	6.00	6.40	3S	7/8	1-15/32	21/32	1/16	5/8, 3/4, 7/8, 15/16, 1, 1-1/8, 1-3/16, 1-1/4, 1-7/16	4.6
BK72	6.95	6.20	6.60	3H	7/8	1-15/32	21/32	1/16	3/4, 1, 1-1/8, 1-3/8	4.4
BK75	7.25	6.50	6.90	3H	7/8	1-15/32	21/32	1/16	3/4, 1, 1-1/8	4.6
BK77	7.45	6.70	7.10	3H	7/8	1-15/32	21/32	1/16	3/4, 1, 1-1/8, 1-3/8	5.1
BK80	7.75	7.00	7.40	3H	7/8	1-15/32	21/32	1/16	5/8, 3/4, 7/8, 1, 1-1/8, 1-3/16, 1-1/4, 1-3/8, 1-7/16	5.4
BK85	8.25	7.50	7.90	3H	7/8	1-15/32	21/32	1/16	3/4, 1, 1-1/8, 1-3/8, 1-7/16	5.8
BK90	8.75	8.00	8.40	3H	7/8	1-15/32	21/32	1/16	3/4, 7/8, 15/16, 1, 1-1/8, 1-3/16, 1-3/8, 1-7/16	6.1
BK95	9.25	8.50	8.90	3H	7/8	1-15/32	21/32	1/16	3/4, 1, 1-1/8, 1-3/8	7.0
BK100	9.75	9.00	9.40	3H	7/8	1-15/32	21/32	1/16	3/4, 7/8, 15/16, 1, 1-1/8, 1-3/16, 1-1/4, 1-3/8, 1-7/16	7.4