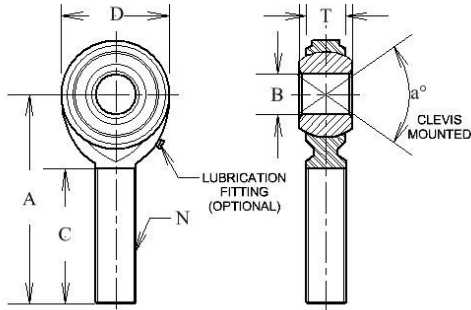




RECM/REFC

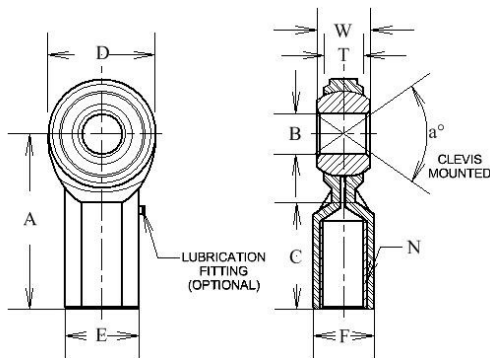
2-Piece, Metal to Metal



MATERIALS

BALL	BODY
52100 STEEL	LOW CARBON STEEL
Rc 56 MIN.	ZINC PLATED
HARD CHROME PLATED	CHROMATE TREATED

MALE ROD ENDS		B DIA.	D DIA.	W WIDTH	T WIDTH	BALL DIA.	A LENGTH	N THD.	C LENGTH	a° MIS ANGLE	ULT. STATIC RADIAL LOAD (lbs.)	APPROX. WEIGHT (lbs.)
RIGHT HAND PART NO.	LEFT HAND PART NO.	+0.0025 -0.0005	+0.010 -0.010	+0.005 -0.005	REF.	REF.	+0.015 -0.015	UNF 3A	+0.062 -0.031	REF.		
RECM3*	RECML3*	0.190	0.625	0.313	0.234	0.437	1.250	10-32	0.750	17	1,210	0.03
RECM4*	RECML4*	0.250	0.750	0.375	0.250	0.500	1.562	1/4-28	1.000	21	2,225	0.04
RECM5*	RECML5*	0.313	0.875	0.438	0.313	0.625	1.875	5/16-24	1.250	17	3,600	0.07
RECM6	RECML6	0.375	1.000	0.500	0.359	0.719	1.938	3/8-24	1.250	19	5,100	0.11
RECM7	RECML7	0.438	1.125	0.563	0.406	0.812	2.125	7/16-20	1.375	18	6,402	0.15
RECM8	RECML8	0.500	1.313	0.625	0.453	0.937	2.438	1/2-20	1.500	17	8,386	0.24
RECM10	RECML10	0.625	1.500	0.750	0.484	1.125	2.625	5/8-18	1.625	22	9,813	0.36
RECM12	RECML12	0.750	1.750	0.875	0.593	1.312	2.875	3/4-16	1.750	18	14,290	0.57



* GREASE FITTINGS ARE NOT SUPPLIED ON THESE SIZES. MALE ROD END LOAD RATINGS ARE BASED ON NO LUBRICATING FITTING

MATERIALS

BALL	BODY
52100 STEEL	LOW CARBON STEEL
Rc 56 MIN.	ZINC PLATED
HARD CHROME PLATED	CHROMATE TREATED

MALE ROD ENDS		B DIA.	D DIA.	W WIDTH	T WIDTH	BALL DIA.	A LENGTH	N THD.	C LENGTH	E DIA.	F FLAT	a° MIS. ANG.	ULT. STATIC RADIAL LOAD (lbs.)	APPROX. WEIGHT (lbs.)
RIGHT HAND PART NO.	LEFT HAND PART NO.	+0.0025 -0.0005	+0.010 -0.010	+0.005 -0.005	REF.	REF.	+0.015 -0.015	UNF 3A	+0.062 -0.031	+0.010 -0.010	+0.010 -0.010	REF.		
RECF3*	RECFL3*	0.190	0.625	0.313	0.234	0.437	1.062	10-32	0.750	0.406	0.312	17	2,100	0.04
RECF4	RECFL4	0.250	0.750	0.375	0.250	0.500	1.312	1/4-28	1.000	0.468	0.375	21	3,250	0.05
RECF5	RECFL5	0.313	0.875	0.438	0.313	0.625	1.375	5/16-24	1.250	0.500	0.437	17	3,934	0.08
RECF6	RECFL6	0.375	1.000	0.500	0.359	0.719	1.625	3/8-24	1.250	0.687	0.562	19	5,100	0.13
RECF7	RECFL7	0.438	1.125	0.563	0.406	0.812	1.812	7/16-20	1.375	0.750	0.625	18	6,420	0.18
RECF8	RECFL8	0.500	1.313	0.625	0.453	0.937	2.125	1/2-20	1.500	0.875	0.750	17	9,100	0.29
RECF10	RECFL10	0.625	1.500	0.750	0.484	1.125	2.500	5/8-18	1.625	1.000	0.875	22	9,800	0.43
RECF12	RECFL12	0.750	1.750	0.875	0.593	1.312	2.875	3/4-16	1.750	1.125	1.000	18	14,250	0.65