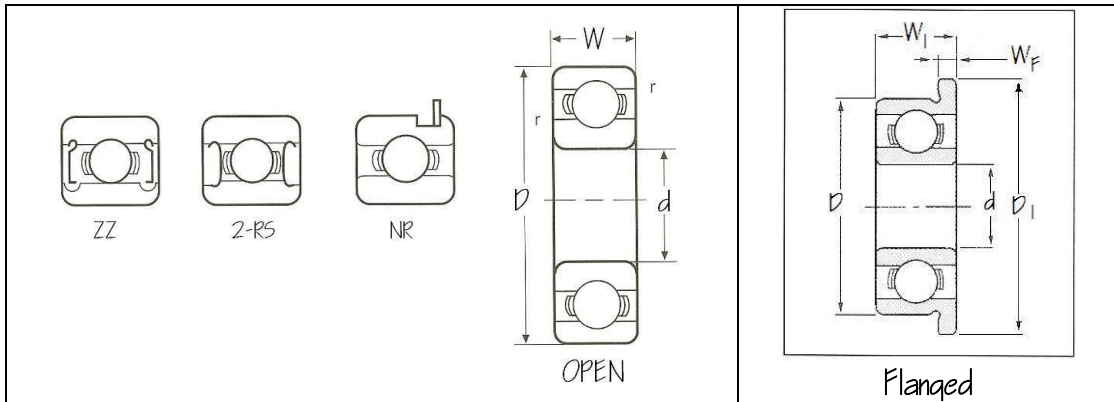




MECHANICAL POWER, Inc.

800/695-6767

**SINGLE ROW
RADIAL BALL BEARINGS**
R – Series / FR - Series



52100 Chromium Steel Bearings

MPI Part No.	Bore d	Outside Diameter D	Width				Flange Dimensions		Basic Load Rating	
			W Open - Sealed		W_1 Open - Sealed		D_1	W_f^*	Dynamic C	Static C_0
R09	1/25	1/8	.0469	-	-	-	-	-	22	6
R0	3/64	5/32	.0625	.0937	.0937	.1250	.203	.013	36	10
R1	.0550	3/16	.0781	.1094	.1094	.1406	.234	.023	42	13
R1-4	5/64	1/4	.0937	.1406	.1250	.1719	.296	.023	63	20
R133	3/32	3/16	.0625	.0937	.0937	.1250	.234	.018	28	9.5
R1-5	3/32	5/16	.1094	.1406	.1406	.1719	.359	.023	96	34
R144	1/8	1/4	.0937	.1094	.1250	.1406	.296	.023	64	22
R2-5	1/8	5/16	.1094	.1406	.1406	.1719	.359	.023	126	40
R2-6	1/8	3/8	.1094	.1406	.1406	.1719	.422	.023	144	50
R2	1/8	3/8	.1562	.1562	.1875	.1875	.440	.030	144	50
R2A	1/8	1/2	.1719	.1719	-	-	-	-	258	89
R155	5/32	5/16	.1094	.1250	.1406	.1562	.359	.023	76	30
R156	3/16	5/16	.1094	.1250	.1406	.1562	.359	.023	89	32
R166	3/16	3/8	.1250	.1250	.1562	.1562	.422	.023	160	60
R3	3/16	1/2	.1562	.1960	.2272	.2272	.565	.042	295	110
R3A	3/16	1/2	.1960	.1960	-	-	-	-	295	110
R168	1/4	3/8	.1250	.1250	.1562	.1562	.422	.023	60	31
R188	1/4	1/2	.1250	.1875	.1562	.2188	.547	.023	186	84
R4	1/4	5/8	.1960	.1960	.2272	.2272	.690	.042	335	139
R4A	1/4	3/4	.2188	.2812	-	-	-	-	525	199
R6	3/8	7/8	.2188	.2812	-	-	.969	.062	745	315
R8	1/2	1-1/8	.2500	.3125	-	-	1.225	.062	1148	535
R10	5/8	1-3/8	.2812	.3438	-	-	-	-	1347	734
R12	3/4	1-5/8	.3125	.4375	-	-	-	-	1770	1018
R14	7/8	1-7/8	.3750	.5000	-	-	-	-	2261	1316
R16	1	2	.3750	.5000	-	-	-	-	2261	1316
R18	1-1/8	2-1/8	.3750	.5000	-	-	-	-	2150	1407
R20	1-1/4	2-1/4	.3750	.5000	-	-	-	-	2973	1858
R22	1-3/8	2-1/2	.4375	.5625	-	-	-	-	2756	1910
R24	1-1/2	2-5/8	.4375	.5625	-	-	-	-	2906	2084