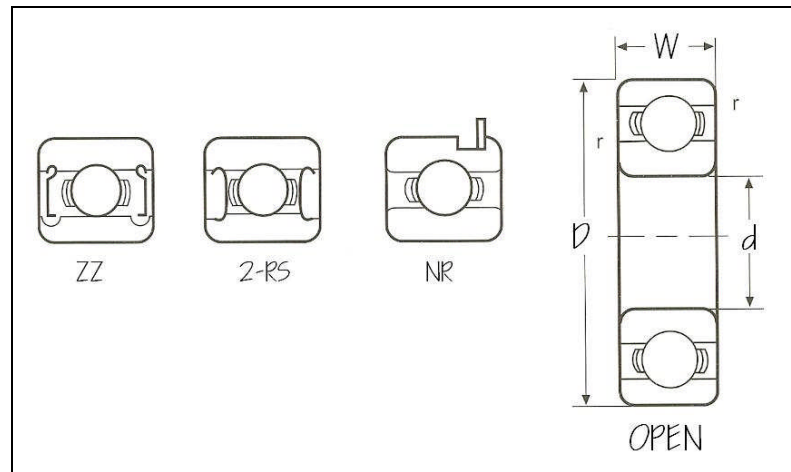




MECHANICAL POWER, Inc.

**SINGLE ROW
RADIAL BALL
BEARINGS**



MPI Part No.	Bore d		Outside Diameter D		Width W		Basic Load Rating (lbs.)		Weight (lbs.)
	mm	Inch	mm	Inch	mm	Inch	Dynamic	Static	
6800	10	.3937	19	.7480	5	.1969	242	141	.016
6801	12	.4724	21	.8268	5	.1969	251	159	.019
6802	15	.5906	24	.9449	5	.1969	273	214	.028
6803	17	.6693	26	1.0236	5	.1969	296	236	.032
6804	20	.7874	32	1.2598	7	.2756	458	314	.063
6805	25	.9843	37	1.4567	7	.2756	511	381	.074
6806	30	1.1811	42	1.6535	7	.2756	516	404	.085
6807	35	1.3780	47	1.8504	7	.2756	529	449	.104
6808	40	1.5748	52	2.0472	7	.2756	550	493	.194
6809	45	1.7717	58	2.2835	7	.2756	1043	853	.226
6810	50	1.9685	65	2.5591	7	.2756	1077	954	.234

MPI Part No.	Bore d		Outside Diameter D		Width W		Basic Load Rating (lbs.)		Weight (lbs.)
	mm	Inch	mm	Inch	mm	Inch	Dynamic	Static	
6900	10	.3937	22	.8661	6	.2362	465	258	.020
6901	12	.4724	24	.9449	6	.2362	500	291	.024
6902	15	.5906	28	1.1024	7	.2756	705	415	.035
6903	17	.6693	30	1.1811	7	.2756	805	510	.040
6904	20	.7874	37	1.457	9	.3543	1100	725	.079
6905	25	.9843	42	1.6535	9	.3543	1220	870	.093
6906	30	1.1811	47	1.8504	9	.3543	1250	945	.106
6907	35	1.3780	55	2.1654	10	.3937	1980	1430	.163
6908	40	1.5748	62	2.4409	12	.4724	2100	1680	.243
6909	45	1.7717	68	2.6772	12	.4724	2610	2120	.282
6910	50	1.9685	72	2.8346	12	.4724	2700	2290	.291