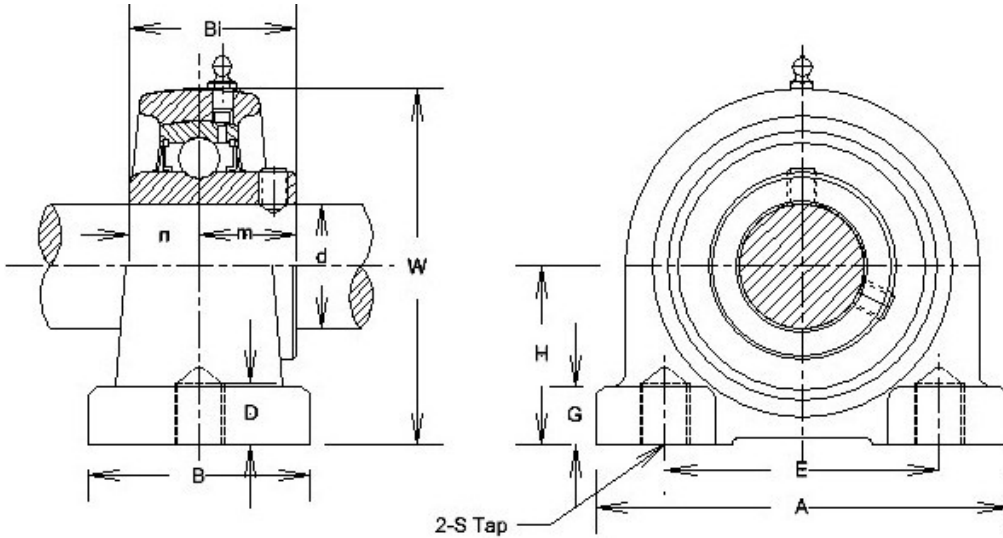




UCTB Pillow Block

Normal Duty



- Cast Iron Housing
- Wide Inner Race
- SR-type or L3-type Seals
- Standard Shaft Height
- Tapped Base
- Set Screw Lock

Unit No.	Shaft Dia.		Dimensions (in.) (mm)											Bolt Used	Bearing No.	Housing No.		
	d	d	H	A	E	B	S(mm)	G	W	D	Bi	N	M				(mm)	
UCTB 201		12															UC 201	
201-8	1/2	12															201-8	
202		15															202	
202-10	5/8	15	1.313	2.653	2	1.25	3/8-16	0.434	2.438	0.5	1.221	0.5	0.721	10			202-10	TB 204
203		17	33	65	51	32	UNC	11	62	13	31.0	12.7	18.3				203	
204-12	3/4	17															204-12	
204		20															204	
UCTB 205-14	7/8	25															UC 205-14	
205-15	15/16	25	1.438	2.75	2	1.406	3/8-16	0.469	2.75	0.5	1.343	0.563	0.779	10			205-15	TB 205
205		25	37	70	51	36	UNC	12	70	13	34.1	14.3	19.8				205	
205-16	1	25															205-16	
UCTB 206-17	1 1/16	30															UC 206-17	
206-18	1 1/8	30	1.688	3.875	3	1.500	7/16-14	0.469	3.219	0.709	1.5	0.626	0.874	14			206-18	TB 206
206		30	43	99	77	38	UNC	12	82	18	38.1	15.9	22.2				206	
206-19	1 3/16	30															206-19	
206-20	1 1/4S	30															206-20	
UCTB 207-20	1 1/4	35															UC 207-20	
207-21	1 5/16	35	1.875	4.344	3.25	1.938	1/2-13	0.5	3.25	0.787	1.689	0.689	1.0	14			207-21	TB 207
207-22	1 3/8	35	48	110	83	49	UNC	13	83	20	42.9	17.5	25.4				207-22	
207		35															207	
207-23	1 7/16	35															207-23	
UCTB 208-24	1 1/2	40															UC 208-24	
208-25	1 9/16	40	1.937	4.563	3.313	2.126	14	0.5	3.938	0.787	1.937	0.748	1.189	14			208-25	TB 208
208		40	49.2	116	84	54		13	100	20	49.2	19.0	30.2				208	
UCTB 209-26	1 5/8	45															UC 209-26	
209-27	1 11/16	45	2.134	4.719	3.547	2.126	14	0.5	4.25	0.984	1.937	0.748	1.189	14			209-27	TB 209
209-28	1 3/4	45	54.2	120	90	54		13	108	25	49.2	19.0	30.2				209-28	
209		45															209	
UCTB 210-30	1 7/8	50															UC 210-30	
210-31	1 15/16	50	2.25	5.125	3.703	2.362	16	0.551	4.563	0.984	2.032	0.748	1.284	16			210-31	TB 210
210		50	57.2	130	94	60		14	116	25	51.6	19.0	32.6				210	
210-32	2S	50															210-32	
UCTB 211		55															UC 211	
211-33	2-1/16	55	2.5	5.512	4.095	2.598	16	0.551	4.921	0.984	2.189	0.874	1.315	16			211-33	TB 211
211-34	2-1/8	55	63.5	140	104	66		14	125	25	55.6	22.2	33.4				211-34	
211-35	2-3/16	55															211-35	
UCTB 212		60															UC 212	
212-37	2-5/16	60	2.752	5.906	4.488	2.677	16	0.591	5.433	0.984	2.563	1	1.563	16			212-37	TB 212
212-38	2-3/8	60	69.9	150	114	68		15	138	25	65.1	25.4	39.7				212-38	
212-39	2-7/16	60															212-39	
UCTB 213		65															UC 213	
213-40	2-1/2	65	3	6.299	4.882	2.756	16	0.591	5.906	0.984	2.563	1	1.563	16			213-40	TB 213
213-41	2-9/16	65	76.2		124	70		15	150	25	65.1	25.4	39.7				213-41	