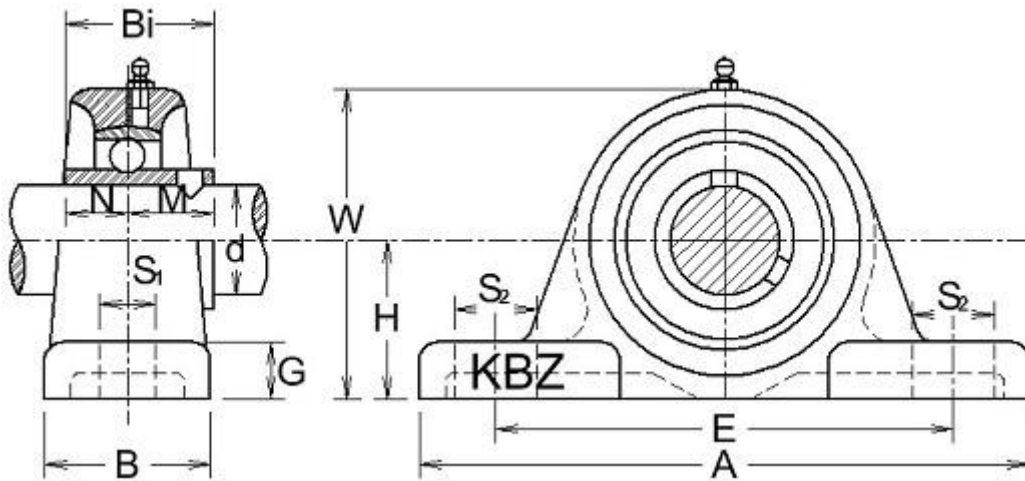




UCP Pillow Blocks

Normal Duty



- Cast Iron Housing
- Wide Inner Race
- SR-type or L3-type Seals
- Standard Shaft Height
- Set Screw Lock

Unit No.	Shaft Dia.		Dimensions (in.) (mm)										Bolt Used (in.)	Bearing No.	Housing No.			
	d (in.)	d (mm)	H	A	E	B	S2	S1	G	W	Bi	N				M		
UCP 201		12															UC 201	
201-8	1/2	15	1.188	5	3.779	1.417	0.75	0.512	0.532	2.359	1.079	0.50	0.626	3/8			UC 201-8	
202		15	30.2	127	96	36	19	13	13	60	27.4	12.7	15.9				202	P 203
202-10	5/8	17															202-10	
203		17															203	
UCP 204-12	3/4	20	1.313	5	3.75	1.5	0.75	0.512	0.563	2.559	1.221	0.50	0.721	3/8			UC 204-12	
204		20	33.3	127	95	38	19	13	14	65	31.0	12.7	18.3				204	P 204
UCP 205-14	7/8	25	1.438	5.5	4.125	1.5	0.75	0.512	0.591	2.795	1.343	0.563	0.779	3/8			UC 205-14	
205-15	15/16	25	36.5	140	105	38	19	13	15	71	34.1	14.3	19.8				205-15	
205		25															205	P 205
205-16	1	25															205-16	
UCP 206-17	1 1/16	30	1.688	6.496	4.75	1.889	0.827	0.669	0.669	3.268	1.5	0.626	0.875	1/2			UC 206-17	
206-18	1 1/8	30	42.9	165	121	48	21	17	17	83	38.1	15.9	22.2				206-18	
206		30															206	P 206
206-19	1 3/16	30															206-19	
206-20	1 1/4S	30															206-20	
UCP 207-20	1 1/4	35	1.875	6.594	5	1.889	0.827	0.669	0.709	3.661	1.689	0.689	1.000	1/2			UC 207-20	
207-21	1 5/16	35	47.6	167	127	48	21	17	18	93	42.9	42.9	25.4				207-21	
207-22	1 3/8	35															207-22	P 207
207		35															207	
207-23	1 7/16	35															207-23	
UCP 208-24	1 1/2	40	1.936	7.244	5.438	2.126	0.827	0.669	0.709	3.858	1.937	0.748	1.189	1/2			UC 208-24	
208-25	1 9/16	40	49.2	184	137	54	21	17	18	98	49.2	19.0	30.2				208-25	
208		40															208	P 208
UCP 209-26	1 5/8	45	2.125	7.48	5.75	2.126	0.827	0.669	0.787	4.173	1.937	0.748	1.189	1/2			UC 209-26	
209-27	1 11/16	45	54.0	190	146	54	21	17	20	106	49.2	19.0	30.2				209-27	
209-28	1 3/4	45															209-28	
209		45															209	P 209
UCP 210-30	1 7/8	50	2.125	8.11	6.25	2.375	0.984	0.787	0.827	4.488	2.032	0.748	1.284	5/8			UC 210-30	
210-31	1 15/16	50	57.2	206	159	60	25	20	21	114	51.6	19.0	32.6				210-31	
210		50															210	P 210
210-32	2S	50															210-32	
UCP 211-32	2	55	2.5	8.625	6.732	2.375	0.984	0.787	0.906	4.961	2.189	0.874	1.315	5/8			UC 211-30	
211-34	2 1/8	55	63.5	219	171	60	25	20	23	126	55.6	22.2	33.4				211-31	
211		55															211	P 211
211-35	2 3/16	55															211-32	
UCP 212-36	2 1/4	60	2.75	9.488	7.244	2.75	0.984	0.787	0.984	5.433	2.56	1.0	1.563	5/8			UC 212-36	
212		60	69.8	241	184	70	25	20	25	138	65.1	25.4	39.7				212	
212-38	2 3/8	60															212-38	P 212
212-39	2 3/16	60															212-39	
UCP 213-40	2 1/2	65	3	10.394	7.992	2.75	1.181	0.984	1.063	5.945	2.563	1.00	1.563	5/8			UC 213-40	
213		65	76.2	264	203	70	30	25	27	151	65.1	25.4	39.7				213	P 213
UCP 215-47	2 15/16	75	3.25	10.827	8.268	2.913	1.181	0.984	1.102	6.181	3.063	1.311	1.752	7/8			UC 215-47	
215		75	82.6	275	210	74	30	25	28	157	77.8	33.3	44.5				215	P 215
215-48	3	75															215-48	