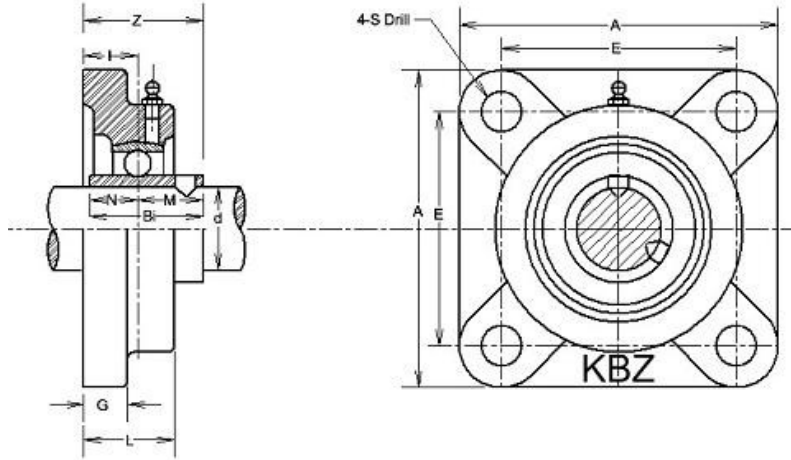




# UCF 4-Bolt Flange Units

Normal duty



- Cast Iron Housing
- Wide Inner Race
- SR-type or L3-type Seals
- Set Screw Lock

Unit No.	Shaft Dia.		Dimensions (in.) (mm)										Bolt Used (in.)	Bearing No.	Housing No.		
	(in.)	(mm)	A	E	I	G	L	S	Z	Bi	N	M					
UCF 201		12														UC 201	
201-8	1/2	15	3.375	2.519	0.594	0.433	1.004	0.472	1.311	1.079	0.453	0.626	3/8	201-8			
202		15	86	64	15	11	25.5	12	33.3	27.4	11.5	15.9		202		F 203	
202-10	5/8	17												202-10			
203		17												203			
UCF 204-12	3/4	20	3.375	2.5	0.594	0.472	1.004	0.472	1.311	1.221	0.5	0.721	3/8	UC 204-12		F 204	
204		20	86	64	15	12	25.5	12	33.3	31.0	12.7	18.3		204			
UCF 205-14	7/8	25	3.75	2.75	0.625	0.551	1.063	0.472	1.409	1.339	0.563	0.776	3/8	UC 205-14			
205-15	15/16	25	95	70	16	14	27	12	35.8	34.0	14.3	19.7		205-15			
205		25												205		F 205	
205-16	1	25												205-16			
UCF 206-17	1 1/16	30	4.25	3.25	0.703	0.563	1.219	0.472	1.594	1.5	0.626	0.874	7/16	UC 206-17			
206-18	1 1/8	30	108	83	18	14.3	31	12	40.2	38.1	15.9	22.2		206-18		F 206	
206		30												206			
206-19	1 3/16	30												206-19			
206-20	1 1/4S	30												206-20			
UCF 207-20	1 1/4	35	4.594	3.625	0.75	0.606	1.344	0.551	1.75	1.689	0.689	1.0	7/16	UC 207-20			
207-21	1 5/16	35	117	92	19	15.5	34	14	44.4	42.9	17.5	25.4		207-21		F 207	
207-22	1 3/8	35												207-22			
207		35												207			
207-23	1 7/16	35												207-23			
UCF 208-24	1 1/2	40	5.125	4	0.828	0.606	1.406	0.629	2.031	1.937	0.748	1.189	1/2	UC 208-24		F 208	
208-25	1 9/16	40	130	102	21	15.5	36	16	51.2	49.2	19.0	30.2		208-25			
208		40												208			
UCF 209-26	1 5/8	45	5.406	4.125	0.859	0.689	1.5	0.629	2.063	1.937	0.748	1.189	9/16	UC 209-26			
209-27	1 11/16	45	137	105	22	17.5	38	16	52.2	49.2	19.0	30.2		209-27		F 209	
209-28	1 3/4	45												209-28			
209		45												209			
UCF 210-30	1 7/8	50	5.625	4.375	0.859	0.689	1.563	0.629	2.156	2.032	0.748	1.284	9/16	UC 210-30			
210-31	1 15/16	50	143	111	22	17.5	40	16	54.6	51.6	19.0	32.6		210-31		F 210	
210		50												210			
210-32	2S	50												210-32			
UCF 211-32	2	55	6.375	5.125	0.984	0.768	1.688	0.748	2.313	2.189	0.874	1.315	5/8	UC 211-30			
211-34	2 1/8	55	162	130	25	19.5	43	19	58.4	55.6	22.2	33.4		211-31		F 211	
211		55												211			
211-35	2 3/16	55												211-32			
UCF 212-36	2 1/4	60	6.875	5.625	1.141	0.768	1.875	0.748	2.719	2.563	1.0	1.563	5/8	UC 212-36			
212		60	175	143	29	19.5	48	19	68.7	65.1	25.4	39.7		212		F 212	
212-38	2 3/8	60												212-38			
212-39	2 7/16	60												212-39			
UCF 213-40	2 1/2	65	7.375	5.875	1.188	0.906	1.969	0.748	2.75	2.563	1.0	1.563	5/8	UC 213-40		F 213	
213		65	187	149	30	23	50	19	69.7	65.1	25.4	39.7		213			
UCF 214-43	2 11/16	70	7.594	5.984	1.219	0.906	2.125	0.748	2.969	2.937	1.189	1.748	11/16	UC 214-43			
214-44	2 3/4	70	193	152	31	23	54	19	75.4	74.6	30.2	44.4		214-44		F 214	
214		70												214			
UCF 215-47	2 15/16	75	7.875	6.25	1.344	0.906	2.219	0.748	3.094	3.063	1.311	1.752	11/16	UC 215-47			
215		75	200	159	34	23	56	19	78.5	77.8	33.3	44.5		215		F 215	
215-48	3	75												215-48			