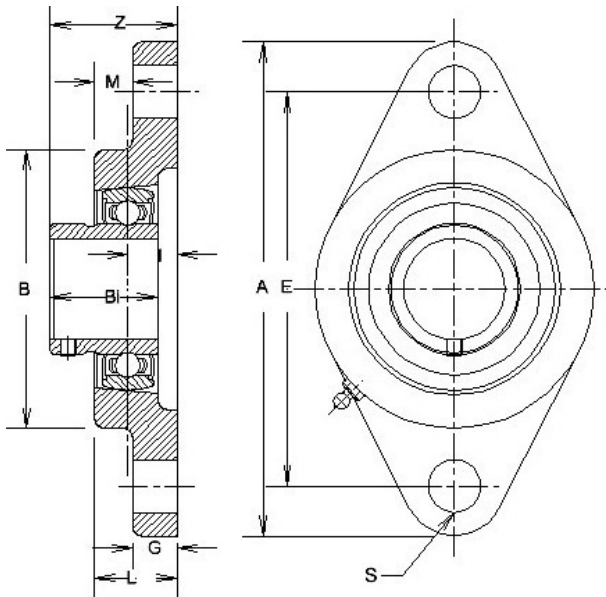




SBFLN 2-Bolt Flange Units

Light Duty



- Cast Iron Housing
- Narrow Inner Race
- A-type Seal
- Narrow Series
- Set Screw Lock

Unit No.	Shaft Dia.		Dimensions (in.) (mm)										Bolt Used (in.)	Bearing No.	Housing No.		
	d	(in.)(mm)	A	E	I	G	L	S	B	Z	Bi	N				M	
SBFLS 201 201-8 202-10	1/2	12													5/16	SB 201 201-8 202 202-10 203	FLS 203
	5/8	15	3.875	3	0.448	0.375	0.719	0.438	2.125	1.078	0.866 22	0.236 6.0	0.630 16.0				
		17															
SBFLS 204-12 204	3/4	20	4.406	3.531	0.495	0.438	0.813	0.438	2.5	1.203	0.984 25	0.275 7.0	0.708 18.0	5/16	SB 204-12 204	FLS 204	
		20															
SBFLS 205-14 205-15 205 205-16	7/8														3/8	SB 205-14 205-15 205 205-16	FLS 205
	15/16	25	4.875	3.891	0.483	0.438	0.813	0.516	2.75	1.25	1.063 27	0.295 7.5	0.767 19.5				
	1																
SBFLS 206-17 206-18 206 206-19 206-20	1 1/16														3/8	SB 206-17 206-18 206 206-19 206-20	FLS 206
	1 1/8	30	5.563	4.594	0.478	0.531	0.953	0.516	3.125	1.344	1.181 30	0.315 8.0	0.866 22.0				
	1 3/16																
	1 1/4																
SBFLS 207-20 207-21 207-22 207 207-23	1 1/4														7/16	SB 207-20 207-21 207-22 207 207-23	FLS 207
	1 5/16	35	6.125	5.125	0.575	0.594	1.047	0.547	3.625	1.5	1.259 32	0.335 8.5	0.925 23.5				
	1 3/8																
	1 7/16																
SBFLS 208-24 208-25 208	1 1/2														7/16	SB 208-24 208-25 208	FLS 208
	1 9/16	40	6.75	5.656	0.610	0.625	1.125	0.547	4.125	1.594	1.339 34	0.354 9.0	0.984 25.0				
SBFLS 209-26 209-27 209-28 209	1 5/8														1/2	SB 209-26 209-27 209-28 209	FLS 209
	1 11/16	45	7.063	5.844	0.644	0.625	1.125	0.625	4.375	1.61	1.622 41.2	0.748 19.0	1.189 30.2				
	1 3/4																