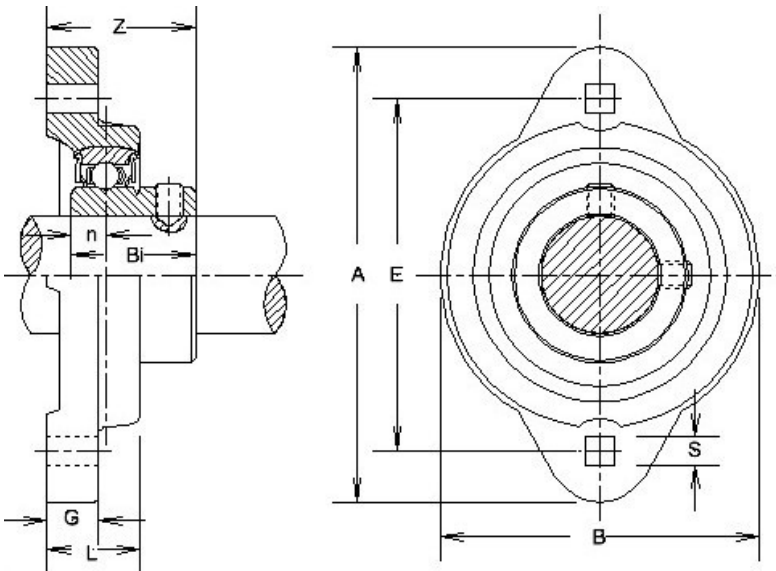




SBFTD 2-Bolt Ductile Flange Units

Light Duty



- Ductile Iron Housing
- Narrow Inner Race
- A-type Seal
- Set Screw Lock
- Square Mounting Holes

Unit No.	Shaft Dia.		Dimensions (in.) (mm)								Bolt Used (in.)	Bearing No.	Housing No.		
	d (in.)	d (mm)	A	E	G	L	S	B	Z	Bi				N	M
SBFTD 201		12												SB 201	
201-8	1/2	15	3.25	2.563	0.422	0.719	0.281	2.281	1.109	0.866	0.236	0.630	1/4	SB 201-8	
202		17								22	6.0	16		202	FTD 203
202-10	5/8	20	3.688	2.813	0.438	0.766	0.344	2.609	1.203	0.984	0.276	0.709	5/16	SB 204-12	
203		25								25	7.0	18		204	FTD 204
SBFTD 204-12	3/4	25	3.875	3	0.438	0.797	0.344	2.719	1.266	1.063	0.295	0.768	5/16	SB 205-14	
205-14	7/8	30	4.563	3.531	0.5	0.859	0.406	3.203	1.406	1.181	0.315	0.866	3/8	SB 206-17	
205-15	15/16	35	4.813	3.938	0.5	0.938	0.406	3.516	1.531	1.260	0.335	0.925	3/8	SB 207-20	
205										27	7.5	19.5		205	FTD 205
205-16	1									30	8.0	22		206	FTD 206
SBFTD 206-17	1 1/16													SB 207-20	
206-18	1 1/8													207-21	
206														207-22	FTD 207
206-19	1 3/16													207	
206-20	1 1/4S													207-23	
SBFTD 207-20	1 1/4														
207-21	1 5/16														
207-22	1 3/8														
207															
207-23	1 7/16														