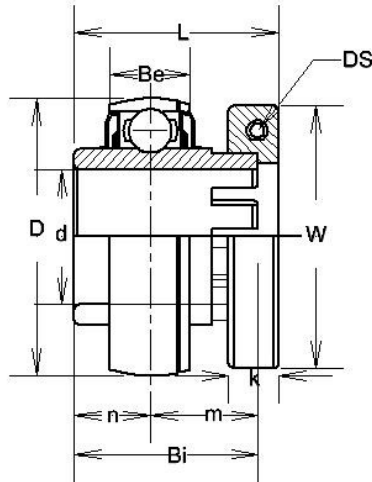




UG Bearing Insert

Normal duty



- Griploc Locking Mechanism
- Wide Inner Race
- SR-type Seals
- Relubricatable
- Concentric Locking Collar

Bearing No.	Bore Dia. Of Bearing		Dimensions (in.) (mm)									Basic Load Rating (lbs.)	Basic Static Load Rating (lbs.)
	d (in.)	d (mm)	D	L	Bi	Be	n	m	W	K	DS(in.)		
UG 201	1/2	20	1.850	1.37	1.22	0.591	0.5	0.720	1.756	0.37	8-32x5/8	2,900	1,410
201-8		15	47.0	34.9	31	15	12.7	18.3	44.6	9.5			
202		5/8	15	47.0	34.9	31	15	12.7	18.3	44.6			
UG 203	3/4	17	1.850	1.37	1.22	0.591	0.5	0.720	1.756	0.37	8-32x5/8	2,900	1,410
204-12		20	47.0	34.9	31	15	12.7	18.3	44.6	9.5			
204		20	47.0	34.9	31	15	12.7	18.3	44.6	9.5			
UG 205-14	7/8	25	2.047	1.51	1.358	0.591	0.563	0.795	1.937	0.37	8-32x5/8	3,150	1,610
205-15	15/16		52.0	38.4	34.5	15	14.3	20.2	49.2	9.5			
205	1		52.0	38.4	34.5	15	14.3	20.2	49.2	9.5			
UG 206-17	1 1/16	30	2.441	1.65	1.50	0.709	0.626	0.874	2.185	0.37	8-32x5/8	4,370	2,320
206-18	1 1/8		62.0	41.9	38.1	18	15.9	22.2	55.5	9.5			
206	1 3/16		62.0	41.9	38.1	18	15.9	22.2	55.5	9.5			
206-19	1 3/16		62.0	41.9	38.1	18	15.9	22.2	55.5	9.5			
UG 207-20	1 1/4	35	2.835	1.87	1.689	0.748	0.689	1.00	2.575	0.44	10-24x3/4	5,770	3,150
207-21	1 5/16		72.0	47.5	42.9	19	17.5	25.4	65.4	11.2			
207-22	1 3/8		72.0	47.5	42.9	19	17.5	25.4	65.4	11.2			
207	1 7/16		72.0	47.5	42.9	19	17.5	25.4	65.4	11.2			
UG 208-24	1 1/2	40	3.15	2.11	1.937	0.866	0.748	1.189	2.693	0.43	10-24x3/4	7340	3,650
208-25	1 9/16		80.0	53.7	49.2	22	19.0	30.2	68.4	11.0			
208	1 9/16		80.0	53.7	49.2	22	19.0	30.2	68.4	11.0			
UG 209-26	1 5/8	45	3.347	2.12	1.937	0.866	0.748	1.189	2.933	0.45	10-24x3/4	7,350	4,150
209-27	1 11/16		85.0	53.9	49.2	22	19.0	30.2	74.5	11.5			
209-28	1 3/4		85.0	53.9	49.2	22	19.0	30.2	74.5	11.5			
209	1 3/4		85.0	53.9	49.2	22	19.0	30.2	74.5	11.5			
UG 210-30	1 7/8	50	3.543	2.27	2.031	0.866	0.748	1.283	3.386	0.57	1/4-20x1	7,880	4,650
210-31	1 15/16		90.0	57.6	51.6	22	19.0	32.6	86	14.5			
210	2S		90.0	57.6	51.6	22	19.0	32.6	86	14.5			
210-32	2S		90.0	57.6	51.6	22	19.0	32.6	86	14.5			
UG 211-32	2	55	3.937	2.43	2.189	0.984	0.874	1.315	3.504	0.58	1/4-20x1	9,740	5,850
211-34	2 1/8		100.0	61.7	55.6	25	22.2	33.4	89	14.8			
211	2 1/8		100.0	61.7	55.6	25	22.2	33.4	89	14.8			
211-35	2 3/16		100.0	61.7	55.6	25	22.2	33.4	89	14.8			
UG 212-36	2 1/4	60	4.331	2.85	2.563	1.063	1.0	1.563	4.055	0.69	5/16-18x1	11,780	7,250
212	2 3/8		110.0	72.3	65.1	27	25.4	39.7	103	17.5			
212-38	2 3/8		110.0	72.3	65.1	27	25.4	39.7	103	17.5			
212-39	2 3/16		110.0	72.3	65.1	27	25.4	39.7	103	17.5			
UG 213-40	2 1/2	65	4.724	2.85	2.563	1.063	1.0	1.563	4.144	0.69	5/16-18x1	13,980	8,000
213	2 1/2		120	72.3	65.1	27	25.4	39.7	104.5	17.5			
UG 214-43	2 11/16	70	4.921	3.22	2.937	1.142	1.189	1.748	4.39	0.69	5/16-18x1	14,000	8,800
214-44	2 3/4		125.0	81.8	74.6	29	30.2	44.4	111.5	17.5			
214	2 3/4		125.0	81.8	74.6	29	30.2	44.4	111.5	17.5			
UG 215-47	2 15/16	75	5.118	3.36	3.063	1.181	1.311	1.752	4.646	0.71	3/8-16x1.5	14830	9,750
215	2 15/16		130.0	85.3	77.8	30	33.3	44.5	118	18			
215-48	3		130.0	85.3	77.8	30	33.3	44.5	118	18			