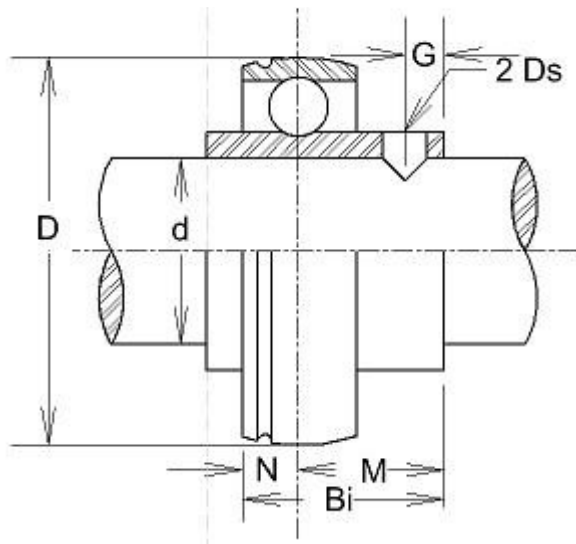




SSB Bearing Inserts

Sentinel Series Normal duty



- Stainless Steel
- Set Screw Lock
- Medium Inner Race
- A-type Seals
- Relubricatable

- Balls & Rings
- Seal
- Slinger and Seal Frame
- Retainer
- Set Screws
- Lubrication

- AISI 440 Stainless Steel
- Silicone Rubber
- AISI 302 Stainless Steel
- AISI 304 Stainless Steel
- AISI 420 Stainless Steel
- H-1 Food Grade Grease

Unit No.	Bore Dia. Of Bearing		Dimensions (in.) (mm)							Basic Load Rating (lbs.)	Basic Static Load Rating (lbs.)	
	d		Be	D	Bi	N	M	G	Ds			
	(in.)	(mm)										
SSB 201		12										
201-8	1/2											
202		15	0.472	1.575	0.866	0.236	0.63	0.177		1,770	830	
202-10	5/8		12.0	40.0	22.0	6.0	16.0	4.5	10-32UNF			
203		17										
203-11	11/16											
SSB 204-12	3/4		0.551	1.85	0.984	0.276	0.709	0.177		2,440	1,220	
204		20	14.0	47.0	25.0	7.0	18.0	4.5	1/4-28UNF			
SSB 205		25										
205-14	7/8		0.591	2.047	1.063	0.295	0.768	0.197		2,670	1,440	
205-15	15/16		15.0	52.0	27.0	7.5	19.5	5	1/4-28UNF			
205-16	1											
SSB 206		30										
206-17	1-1/16		0.63	2.441	1.181	0.315	0.866	0.217		3,710	2,020	
206-18	1-1/8		16.0	62.0	30	8.0	22	5.5	5/16-24UNF			
206-19	1-3/16											
206-20	1-1/4S											
SSB 207-20	1-1/4		0.669	2.835	1.26	0.335	0.925	0.236		4,930	2,780	
207-22	1-3/8		17.0	72.0	32.0	8.5	23.5	6.0	5/16-24UNF			
207		35										
207-23	1-7/16											
SSB 208		40										
208-24	1-1/2		0.709	3.149	1.339	0.354	0.984	0.315		3,710	2,020	
208-25	1-9/16		18	80	34	9	25	8	5/16-24UNF			
SSB 209		45										
209-26	1-5/8		0.748	3.347	1.622	0.402	1.221	0.315		4,930	2,780	
209-27	1-11/16		19	85	41.2	10.2	31	8	5/16-24UNF			
209-28	1-3/4											
SSB 210		50										
210-29	1-13/16		0.747	3.543	1.713	0.429	1.284	0.354		-	-	
210-30	1-7/8		20	90	43.5	10.9	32.6	9	5/16-24UNF			
210-31	1-15/16											
210-32	2											
SSB 211		55										
211-32	2		0.827	3.937	1.784	0.465	1.319	0.394		-	-	
211-33	2-1/16		21	100	45.3	11.8	33.5	10	3/8-24UNF			
211-34	2-1/8											
211-35	2-3/16											
SSB 212		60										
212-36	2-1/4		0.866	4.331	2.114	0.587	1.528	0.394		-	-	
212-37	2-5/16		22	110	53.7	14.9	38.8	10	3/8-24UNF			
212-38	2-3/8											
212-39	2-7/16											